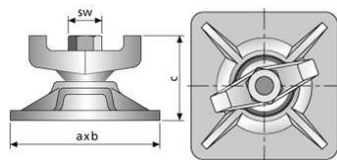
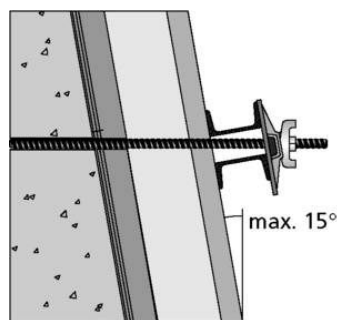
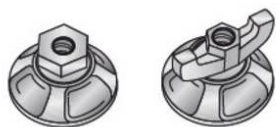


## KIPP



Galvanized ball-and-socket plate. For sloping formwork. Compatible with Uni 15.  
Loadability of all accessory according to DIN 18216.



Article description	Thread	Plate size Ø mm	Plate size a mm	Plate size b mm	Plate size c mm	SW mm	Material quality	Packaging piece/ metre/ metre by the metre/ bucket/ bag/ bundle/ box/ can	Weight kg/piece
20021230	B 15 with wing nut		120	120	66	27	galvanised	10 pieces/bag	1,300
20021350	B 15 with wing nut		135	185	66	27	galvanised	10 pieces/bag	1,833
20020950	B 15 with S-nut	94			53	41	galvanised	1 piece	0,680
20020940	B 15 with wing nut	94			61	27	galvanised	1 piece	0,765