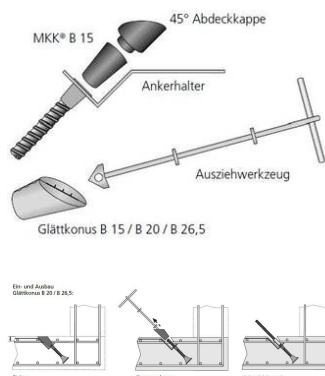


Smoothing cone B15 - B20 - B26.5 and smoothing cone installation



The finishing cone for the perfect concrete surface.

Applications, features, properties and benefits

Recessed installation of the lost anchor rod

Cone can be fitted at precisely 45°

Finishes perfectly flush with the surface

Cone can be easily removed with the help of the extraction tool (for B20 und B26.5)

A connecting nut can be easily fitted once the cone has been pulled

Closing mortaring of the recess with BETOMAX® sealing mortar

MKK Cap 45° B15 for a precise 45° positioning with MKK B15

Use without additional coupling nut

Cap removal without special tool (with carpenter hammer only)

Additional compensation washer available

Article description	Title of variant	Packaging piece/ metre/ metre by the metre/ bucket/ bag/ bundle/ box/ can	Weight kg/piece
18402000	MKK® Betomax 15	25 pieces/bag	0,500
18409145	MKK® cover cap 45° B 15	20 pieces/bag	0,040
18409146	Sealing washer for MKK® skew compensation	100 pieces/bag	0,001
18581200	Anchor holder B 15	40 pieces/bag	0,500
18409140	Smoothing cone B 15 45°	1 piece	0,075
14409245	Smoothing cone B 20 45°	40 pieces/bag	0,090
14581200	Anchor holder B 20 45°	40 pieces/bag	0,500
21409245	Smoothing cone B 26.5 45°	40 pieces/bag	0,090
17581200	Anchor holder B 26.5 45°	40 pieces/bag	0,500
90414500	Extraction tool	1 piece	0,320