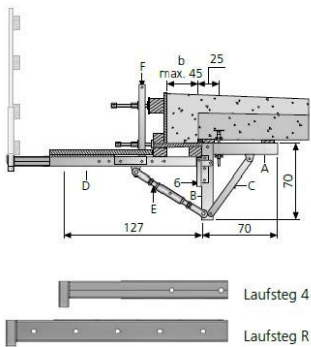


Walkways 4+R

To extend the formwork beam to create a wider working area.

Comment to article

Rent on request.



Article description	Title of variant	Packaging piece/ metre/ metre by the metre/ bucket/ bag/ bundle/ box/ can	Weight kg/piece
44362560	Catwalk 0,75 (4) for scarf ledgers (D), (5) and (T)	1 piece	5,140
44362513	Catwalk 1,00 ® for scarf bar (M)	1 piece	9,100