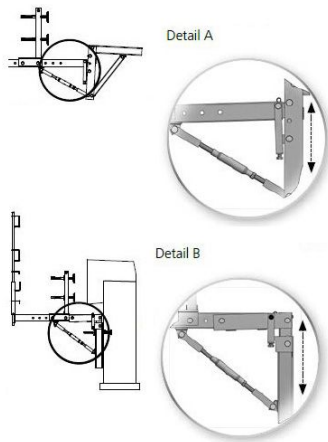


## Height adjustment



For height adjustment and inclination adjustment of the formwork beam.

### Comment to article

Rent on request.

Article description	Title of variant	Packaging piece/ metre/ metre by the metre/ bucket/ bag/ bundle/ box/ can	Weight kg/piece
44362546	Height adjusters 6 for superstructure brackets (3xW/G1)	1 piece	8,2
44362580	Height adjusters 25 for casement brackets (2xW, 1x28, 3xG1)	1 piece	10,700