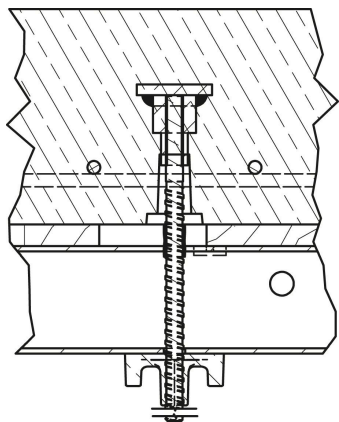


## Kobold® VA M 16-U



Retaining element with metric thread; seal with Stopf 26 plug.

### Technical data

Einbau-Tiefe H = 125 mm

Betongüte C 20/25

Article description	Title of variant	Packaging piece/ metre/ metre by the metre/ bucket/ bag/ bundle/ box/ can	Weight kg/piece	Weight kg/1000 pieces
34046130	Set Kobold VA M16-U	1 piece	1,527	
39035000	Stainless steel nails 35mm	200 pieces	0,001	121,29
34041012	Sichtbetonstopfen Kobold für Nagelstopf Universal	50 pieces	0,082	
94143022	Magnet Ø 32 mm for Drahtfix	1 piece	0,045	
92001216	Boring tool D 16 for Connection nail plate D 16	1 piece	0,290	
34046100	Kobold VA M16	20 pieces	0,540	
34041010	Kobold nail foot universal	250 pieces	0,024	
34046145	Stange B15/M16 LG 350 x 85 mm	20 pieces	1,108	
20480700	Cup wing nut Ø 70	50 pieces	0,406	
66326110	Stopf 26	100 pieces	0,005	