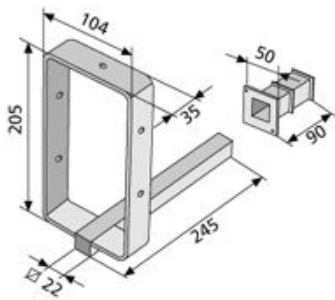
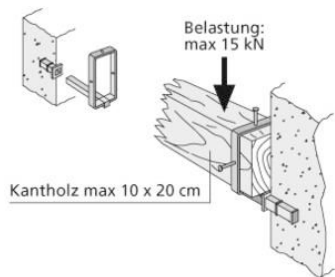


## CLIP Scaffold plank holder



Anchorage for inserting square timbers (max. 10 x 20 cm). Use in reinforced concrete ceilings/walls/cavities, e.g. in the area of lift shafts.  
Permissible load: max. 15 kN

Attention: Push clip shoe completely into sleeve!



Article description	Title of variant	Packaging piece/ metre/ metre by the metre/ bucket/ bag/ bundle/ box/ can	Weight kg/piece
30412000	Clip shoe, galvanised	10 pieces	1,756
30428000	Clip sleeve	50 pieces	0,020
35641101	Cover plug sleeve; self-adhesive 50 x 50 x 1 mm	50 pieces	0,055